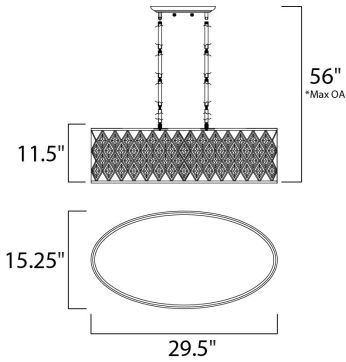




**PRODUCT DESCRIPTION**

Diamond-shaped crystals gracefully fit the openings in these metal frames finished in a rustic Golden Silver finish, and creamy Off White fabric shades line each frame of the Diamond collection. The oval-shaped pendant is sure to be the focal point of any fine decor.



\*max overall height

**MEASUREMENTS**

DIMENSION : 29.5" L x 15.25" W x 11.5" H  
 MAX OAH : 56" OAH  
 HANGING WEIGHT : 22 lb

**LAMPING**

INPUT VOLTAGE : 120V  
 LUMENS : 4,600 Rated  
 BULB : 4 x 60W Incandescent E26 Medium , 240W Total  
 BULB INCLUDED : (Not Included)  
 DIMMABLE : Yes

**FINISHES OPTION**



**MATERIAL**

Steel + Fabric + Acrylic + Crystal

**RATINGS**

Dry Location



**ADDITIONAL**

RATED LIFE 2500 Hours  
 OPERATING TEMPERATURE:  
 -20°C (-4°F), 40°C (104°F)

Always consult a qualified electrician before installing any lighting product.



**WESTERN DISTRIBUTION CENTER (HEADQUARTER)**  
 253 NORTH VINELAND AVE | CITY OF INDUSTRY, CA 91746  
**EASTERN DISTRIBUTION CENTER**  
 4200 SHIRLEY DR. | ATLANTA, GA 30336  
 P. 626.956.4200 | F. 626.956.4225 | maximlighting.com