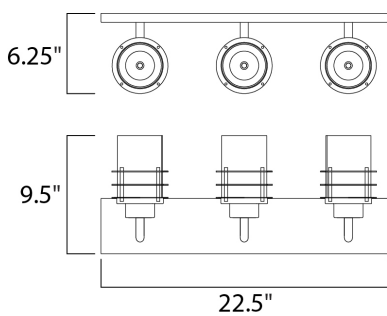


PRODUCT DESCRIPTION

Classic lines are enhanced with rings finished in Polished Chrome supporting Frosted Glass to create this transitional look.



MEASUREMENTS

DIMENSION : 22.5" W x 9.5" H x 6.25" Ext
 BACK PLATE :
 HANGING WEIGHT : 4.37 lb

LAMPING

INPUT VOLTAGE : 120V
 LUMENS : 0 Rated
 BULB : 3 x 60W Incandescent E26 Medium , 180W Total
 BULB INCLUDED : (Not Included)
 DIMMABLE : Yes

FINISHES OPTION

 Polished Chrome

GLASS

Frosted FT

MATERIAL

Steel

RATINGS

Damp Location



ADDITIONAL

INSTALL UP/DOWN: Up/Dn
 OPERATING TEMPERATURE:
 -20°C (-4°F), 40°C (104°F)

Always consult a qualified electrician before installing any lighting product.



WESTERN DISTRIBUTION CENTER (HEADQUARTER)
 253 NORTH VINELAND AVE | CITY OF INDUSTRY, CA 91746

EASTERN DISTRIBUTION CENTER
 4200 SHIRLEY DR. | ATLANTA, GA 30336

P. 626.956.4200 | F. 626.956.4225 | maximlighting.com