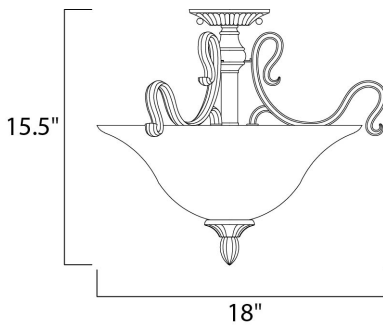




PRODUCT DESCRIPTION

Flowing ribbons of oval tubular steel switchback to create a harmonious form hand painted in a warm Filbert finish. The warm glow from the Mocha Cloud glass will create ambience in any room of the home.




MEASUREMENTS

DIMENSION : 18" W x 15.5" H
 HANGING WEIGHT : 7.45 lb

LAMPING

INPUT VOLTAGE : 120V
 LUMENS : 2,016 Rated
 BULB : 3 x 60W Incandescent MB , 180W Total
 DIMMABLE : Standard
 COLOR_TEMP : 2700K

FINISHES OPTION

 Filbert

GLASS

Mocha Cloud MC

MATERIAL

Steel

RATINGS

Dry Location



ADDITIONAL

RATED LIFE 2500 Hours
 OPERATING TEMPERATURE:
 -20°C (-4°F), 40°C (104°F)

Always consult a qualified electrician before installing any lighting product.



WESTERN DISTRIBUTION CENTER (HEADQUARTER)
 253 NORTH VINELAND AVE | CITY OF INDUSTRY, CA 91746

EASTERN DISTRIBUTION CENTER
 4200 SHIRLEY DR. | ATLANTA, GA 30336

P. 626.956.4200 | F. 626.956.4225 | maximlighting.com