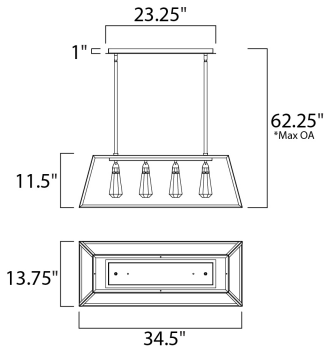




**PRODUCT DESCRIPTION**

Minimalistic metal forms in Textured Black beautifully Frame Beveled Crystal pendants. The Crystals come to life when illuminated by LED concealed in the supporting cast cups. A perfect combination of simplicity and elegance.



\*max overall height

**MEASUREMENTS**

DIMENSION : 34.5" L x 13.75" W x 11.5" H  
 MAX OAH : 62.25" OAH  
 CANOPY : 6" W x 1" H x 23.25" L  
 HANGING WEIGHT : 26.4 lb

**LAMPING**

INPUT VOLTAGE : 120V  
 LUMENS : 840 Rated  
 BULB : 4 x 3W LED PCB Integrated , 12W Total  
 BULB INCLUDED : (Integrated)  
 DIMMABLE : Triac CL  
 CRI : 80+ CRI  
 COLOR\_TEMP : 3000K

**FINISHES OPTION**

 Textured Black

**GLASS**

Beveled Crystal BC

**MATERIAL**

Steel, Zinc Steel Alloy, Crystal

**RATINGS**

cETLus  
 Dry Location



**ADDITIONAL**

ADJUSTABLE  
 OPERATING TEMPERATURE:  
 -20°C (-4°F), 40°C (104°F)

Always consult a qualified electrician before installing any lighting product.



**WESTERN DISTRIBUTION CENTER (HEADQUARTER)**  
 253 NORTH VINELAND AVE | CITY OF INDUSTRY, CA 91746  
**EASTERN DISTRIBUTION CENTER**  
 4200 SHIRLEY DR. | ATLANTA, GA 30336  
 P. 626.956.4200 | F. 626.956.4225 | maximlighting.com