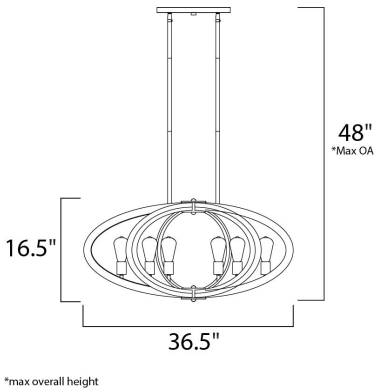




PRODUCT DESCRIPTION

Rings of Ash wood are distressed and then finished in Antique Pecan for that old world feel. Metal accents finished in Anthracite provide a forged iron appearance that complements this rustic design.



MEASUREMENTS

- DIMENSION : 36.5" L x 22.25" W x 16.75" H
- MAX OAH : 48" OAH
- CANOPY : 4.57" W x 0.83" H x 12.01" L
- HANGING WEIGHT : 20.9 lb

LAMPING

- INPUT VOLTAGE : 120V
- LUMENS : 0 Rated
- BULB : 6 x 60W Incandescent E26 Medium , 360W Total
- BULB INCLUDED : (Not Included)
- DIMMABLE : Yes

FINISHES OPTION

-  Anthracite

MATERIAL

Wood + Steel

RATINGS

cULus
Dry Location



ADDITIONAL

ADJUSTABLE
SLOPE: 120
OPERATING TEMPERATURE:
-20°C (-4°F), 40°C (104°F)

Always consult a qualified electrician before installing any lighting product.



WESTERN DISTRIBUTION CENTER (HEADQUARTER)
253 NORTH VINELAND AVE | CITY OF INDUSTRY, CA 91746

EASTERN DISTRIBUTION CENTER
4200 SHIRLEY DR. | ATLANTA, GA 30336

P. 626.956.4200 | F. 626.956.4225 | maximlighting.com