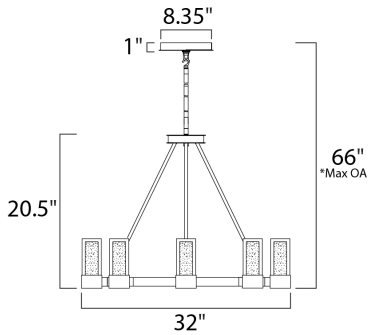




**PRODUCT DESCRIPTION**

Rods of bubble glass are encased inside a Clear glass cylinder, which are supported in a cast Polished Chrome frame. Dual LED modules bring the bubble glass to life, while also providing ample illumination to the surface below.



\*max overall height

**MEASUREMENTS**

- DIMENSION : 32" W x 20.5" H
- MAX OAH : 66" OAH
- CANOPY : 8.35" W x 1" H x 8.35" L
- HANGING WEIGHT : 28.84 lb

**LAMPING**

- INPUT VOLTAGE : 120V
- LUMENS : 2,688 Rated
- BULB : 16 x 4.5W LED PCB Integrated , 72W Total
- BULB INCLUDED : (Integrated)
- DIMMABLE : Triac CL
- CRI : 80+ CRI
- COLOR\_TEMP : 3000K

**FINISHES OPTION**



**GLASS**

Clear CL

**MATERIAL**

Metal, Glass

**RATINGS**

cETLus  
Dry Location



**ADDITIONAL**

SLOPE: 120  
OPERATING TEMPERATURE:  
-20°C (-4°F), 40°C (104°F)

Always consult a qualified electrician before installing any lighting product.



**WESTERN DISTRIBUTION CENTER (HEADQUARTER)**  
253 NORTH VINELAND AVE | CITY OF INDUSTRY, CA 91746  
**EASTERN DISTRIBUTION CENTER**  
4200 SHIRLEY DR. | ATLANTA, GA 30336  
P. 626.956.4200 | F. 626.956.4225 | maximlighting.com