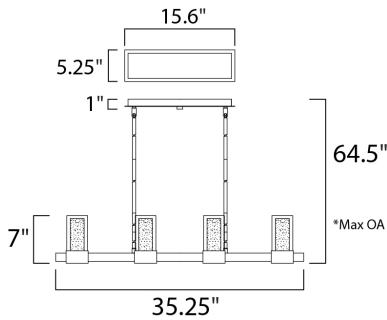




**PRODUCT DESCRIPTION**

Rods of bubble glass are encased inside a Clear glass cylinder, which are supported in a cast Polished Chrome frame. Dual LED modules bring the bubble glass to life, while also providing ample illumination to the surface below.



\*max overall height


**MEASUREMENTS**

DIMENSION : 35.25" L x 11.5" W x 7" H  
 MAX OAH : 64.5" OAH  
 CANOPY : 5.25" W x 1" H x 15.6" L  
 HANGING WEIGHT : 22 lb

**LAMPING**

INPUT VOLTAGE : 120V  
 LUMENS : 2,688 Rated  
 BULB : 16 x 4.5W LED PCB Integrated , 72W Total  
 BULB INCLUDED : (Integrated)  
 DIMMABLE : Triac CL  
 CRI : 80+ CRI  
 COLOR\_TEMP : 3000K

**FINISHES OPTION**

 Polished Chrome

**GLASS**

Clear CL

**MATERIAL**

Metal, Glass

**RATINGS**

cETLus  
 Dry Location



**ADDITIONAL**

OPERATING TEMPERATURE:  
 -20°C (-4°F), 40°C (104°F)

Always consult a qualified electrician before installing any lighting product.



**WESTERN DISTRIBUTION CENTER (HEADQUARTER)**  
 253 NORTH VINELAND AVE | CITY OF INDUSTRY, CA 91746

**EASTERN DISTRIBUTION CENTER**  
 4200 SHIRLEY DR. | ATLANTA, GA 30336

P. 626.956.4200 | F. 626.956.4225 | maximlighting.com