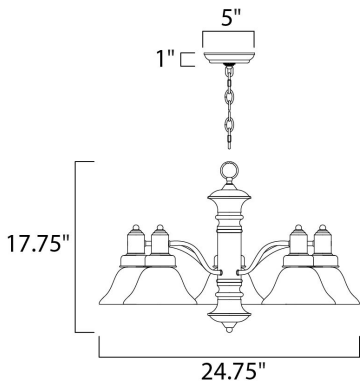


PRODUCT DESCRIPTION

Newburg is a traditional, early American style collection from Maxim Lighting International in multiple finishes and glass types.



MEASUREMENTS

DIMENSION : 24.75" W x 17.75" H
 HANGING WEIGHT : 13.45 lb

LAMPING

LUMENS : 5,750 Rated
 BULB : 5 x 100W Incandescent E26 Medium , 0W Total
 BULB INCLUDED : (Not Included)
 DIMMABLE : Yes
 COLOR_TEMP : 2700K

FINISHES OPTION

-  Acorn
-  Country Stone
-  Oil Rubbed Bronze
-  Polished Brass
-  Satin Nickel

GLASS

Marble MR

MATERIAL

Steel + Glass

RATINGS

cETLus
 Dry Location



ADDITIONAL

RATED LIFE 2500 Hours
 OPERATING TEMPERATURE:
 -20°C (-4°F), 40°C (104°F)

Always consult a qualified electrician before installing any lighting product.



WESTERN DISTRIBUTION CENTER (HEADQUARTER)
 253 NORTH VINELAND AVE | CITY OF INDUSTRY, CA 91746

EASTERN DISTRIBUTION CENTER
 4200 SHIRLEY DR. | ATLANTA, GA 30336

P. 626.956.4200 | F. 626.956.4225 | maximlighting.com