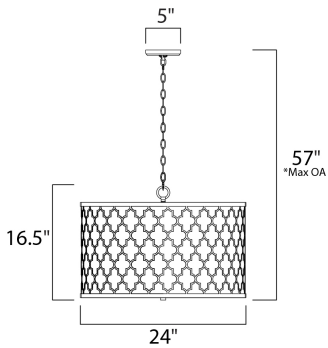




**PRODUCT DESCRIPTION**

Stately lanterns finished in Oil Rubbed Bronze with contrasting Antique Brass clusters provide a classic yet modern approach to lighting. Cast socket covers add an upscale element to this competitive collection.



\*max overall height

**MEASUREMENTS**

- DIMENSION : 24" L x 24" W x 16.5" H
- MAX OAH : 57" OAH
- CANOPY : 5" W x 0.75" H x 5" L
- HANGING WEIGHT : 21.34 lb
- WIRE LENGTH : 120"

**LAMPING**

- INPUT VOLTAGE : 110-130V
- BULB : 4 x 60W Incandescent E26 Medium , 240W Total
- BULB INCLUDED : (Not Included)
- DIMMABLE : Yes

**FINISHES OPTION**

- Oil Rubbed Bronze / Antique Brass

**MATERIAL**

Steel+Glass+Fabric

**RATINGS**

cETLus  
Dry Location



**ADDITIONAL**

OPERATING TEMPERATURE:  
-20°C (-4°F), 40°C (104°F)

Always consult a qualified electrician before installing any lighting product.



**WESTERN DISTRIBUTION CENTER (HEADQUARTER)**  
253 NORTH VINELAND AVE | CITY OF INDUSTRY, CA 91746

**EASTERN DISTRIBUTION CENTER**  
4200 SHIRLEY DR. | ATLANTA, GA 30336

P. 626.956.4200 | F. 626.956.4225 | maximlighting.com