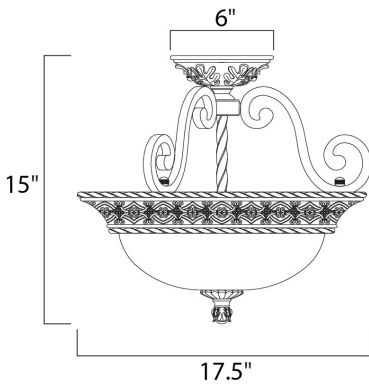




**PRODUCT DESCRIPTION**

The focal point of this lovely family is the ornately detailed rim finished in our Oil Rubbed Bronze finish that supports the Vintage Amber glass.



**MEASUREMENTS**

DIMENSION : 17.5" W x 15" H  
 CANOPY : 6" W x 2" H x 6" L  
 HANGING WEIGHT : 13.23 lb

**LAMPING**

INPUT VOLTAGE : 120V  
 LUMENS : 3,450 Rated  
 BULB : 3 x 100W Incandescent MB , 300W Total  
 BULB INCLUDED : (Not Included)  
 DIMMABLE : Standard  
 COLOR\_TEMP : 2700K

**FINISHES OPTION**

Oil Rubbed Bronze

**GLASS**

Vintage Amber VA

**MATERIAL**

Steel

**RATINGS**

Dry Location



**ADDITIONAL**

RATED LIFE 2500 Hours  
 OPERATING TEMPERATURE:  
 -20°C (-4°F), 40°C (104°F)

Always consult a qualified electrician before installing any lighting product.



**WESTERN DISTRIBUTION CENTER (HEADQUARTER)**  
 253 NORTH VINELAND AVE | CITY OF INDUSTRY, CA 91746

**EASTERN DISTRIBUTION CENTER**  
 4200 SHIRLEY DR. | ATLANTA, GA 30336

P. 626.956.4200 | F. 626.956.4225 | maximlighting.com