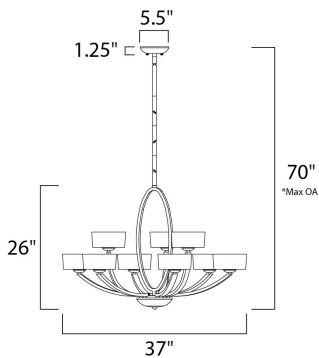




**PRODUCT DESCRIPTION**

Symmetry in design captures the essence of the Elle collection. Graceful sweeping arms finished in either Polished Chrome or Oil-Rubbed Bronze support a bold Frosted glass. Xenon lamps supply a bright, natural light.



\*max overall height



**MEASUREMENTS**

DIMENSION : 37" W x 26" H  
 MAX OAH : 70" OAH  
 HANGING WEIGHT : 35.86 lb

**LAMPING**

INPUT VOLTAGE : 120V  
 LUMENS : 4,050 Rated  
 BULB : 9 x 40W Xenon G9 , 360W Total  
 BULB INCLUDED : (Included)  
 DIMMABLE : Yes  
 COLOR\_TEMP : 2900K

**FINISHES OPTION**

-  Oil Rubbed Bronze
-  Polished Chrome

**GLASS**

Frosted FT

**MATERIAL**

Steel + Glass

**RATINGS**

cETLus  
 Dry Location



**ADDITIONAL**

SLOPE: 120  
 RATED LIFE 2000 Hours  
 OPERATING TEMPERATURE:  
 -20°C (-4°F), 40°C (104°F)

Always consult a qualified electrician before installing any lighting product.



**WESTERN DISTRIBUTION CENTER (HEADQUARTER)**  
 253 NORTH VINELAND AVE | CITY OF INDUSTRY, CA 91746  
**EASTERN DISTRIBUTION CENTER**  
 4200 SHIRLEY DR. | ATLANTA, GA 30336  
 P. 626.956.4200 | F. 626.956.4225 | maximlighting.com