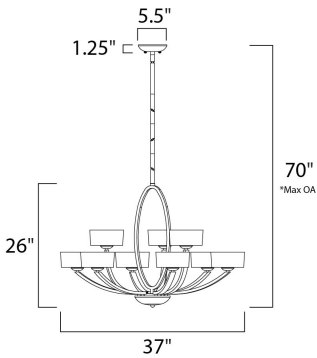




PRODUCT DESCRIPTION

Symmetry in design captures the essence of the Elle collection. A graceful sweeping arms finished in either Polished Chrome or Oil-Rubbed Bronze support a bold Frosted glass. Xenon lamps supply a bright, natural light.



*max overall height



MEASUREMENTS

- DIMENSION : 37" W x 26" H
- MAX OAH : 70" OAH
- CANOPY : 5.5" W x 1.25" H x 5.5" L
- HANGING WEIGHT : 35.86 lb

LAMPING

- LUMENS : 11,700 Rated
- BULB : 9 x 50W Xenon G9 Frost , 450W Total
- BULB INCLUDED : (Included)
- DIMMABLE : Yes
- COLOR_TEMP : 2900K

FINISHES OPTION

-  Oil Rubbed Bronze
-  Polished Chrome

GLASS

Frosted FT

MATERIAL

Steel + Glass

RATINGS

cETLus
Dry Location



ADDITIONAL

SLOPE: 120
RATED LIFE 2000 Hours
OPERATING TEMPERATURE:
-20°C (-4°F), 40°C (104°F)

Always consult a qualified electrician before installing any lighting product.



WESTERN DISTRIBUTION CENTER (HEADQUARTER)
253 NORTH VINELAND AVE | CITY OF INDUSTRY, CA 91746
EASTERN DISTRIBUTION CENTER
4200 SHIRLEY DR. | ATLANTA, GA 30336
P. 626.956.4200 | F. 626.956.4225 | maximlighting.com