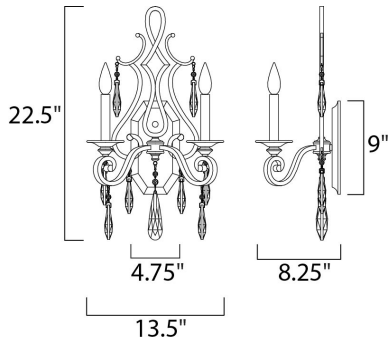




**PRODUCT DESCRIPTION**

The Chic collection uses symmetry and sparkle to make a profound statement with its curvaceous arms in a warm Heritage finish complementing the smooth Cognac glass bowls. As the chandelier descends from its ornate base, teardrop Crystals reflect and refract the light, casting a romantic glow.



**MEASUREMENTS**

DIMENSION : 13.5" W x 22.5" H x 8.25" Ext  
 MAX OAH : 4.75" W x 9" H  
 HANGING WEIGHT : 3.96 lb

**LAMPING**

INPUT VOLTAGE : 120V  
 LUMENS : 1,344 Rated  
 BULB : 2 x 60W Incandescent E12 Candelabra , 120W Total  
 BULB INCLUDED : (Not Included)  
 DIMMABLE : Yes

**FINISHES OPTION**

 Heritage

**MATERIAL**

Steel

**RATINGS**

Dry Location



**ADDITIONAL**

INSTALL UP/DOWN: Up  
 RATED LIFE 1500 Hours  
 OPERATING TEMPERATURE:  
 -20°C (-4°F), 40°C (104°F)

Always consult a qualified electrician before installing any lighting product.



**WESTERN DISTRIBUTION CENTER (HEADQUARTER)**  
 253 NORTH VINELAND AVE | CITY OF INDUSTRY, CA 91746

**EASTERN DISTRIBUTION CENTER**  
 4200 SHIRLEY DR. | ATLANTA, GA 30336

P. 626.956.4200 | F. 626.956.4225 | maximlighting.com