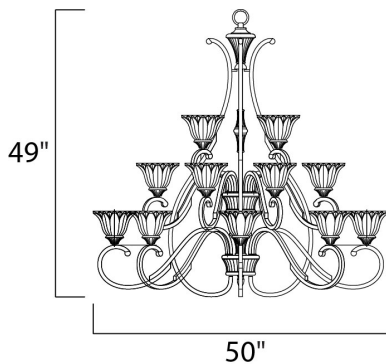




PRODUCT DESCRIPTION

Sculptured Wilshire glass shades adorn this metal frame painted in our Oil Rubbed Bronze finish make this competitively price family a sure fired winner.



MEASUREMENTS

DIMENSION : 50" W x 49" H
 HANGING WEIGHT : 69.64 lb

LAMPING

INPUT VOLTAGE : 120V
 LUMENS : 13,440 Rated
 BULB : 2 x 60W Incandescent E26 Medium , 1200W Total
 BULB INCLUDED : (Not Included)
 DIMMABLE : Standard
 COLOR_TEMP : 2700K

FINISHES OPTION

 Oil Rubbed Bronze

GLASS

Wilshire WS

MATERIAL

Iron

RATINGS

Dry Location



ADDITIONAL

RATED LIFE 2500 Hours
 OPERATING TEMPERATURE:
 -20°C (-4°F), 40°C (104°F)

Always consult a qualified electrician before installing any lighting product.



WESTERN DISTRIBUTION CENTER (HEADQUARTER)
 253 NORTH VINELAND AVE | CITY OF INDUSTRY, CA 91746

EASTERN DISTRIBUTION CENTER
 4200 SHIRLEY DR. | ATLANTA, GA 30336

P. 626.956.4200 | F. 626.956.4225 | maximlighting.com