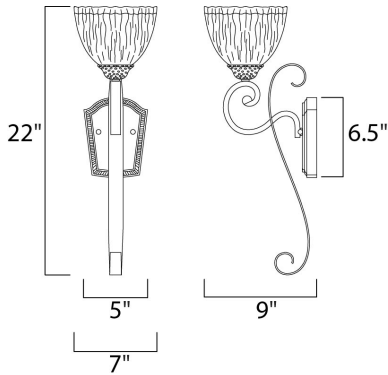




PRODUCT DESCRIPTION

Heavy hand forged frames finished in Oil Rubbed Bronze is warmed by the glow of our new Amber Ice glass.



MEASUREMENTS

DIMENSION : 7" W x 22" H x 9" Ext
 MAX OAH : 5.12" W x 6.41" H
 HANGING WEIGHT : 4.06 lb

LAMPING

INPUT VOLTAGE : 120V
 LUMENS : 1,150 Rated
 BULB : 1 x 100W Incandescent MB , 100W Total
 BULB INCLUDED : (Not Included)
 DIMMABLE : Standard Dimmer
 COLOR_TEMP : 2700K
 LIGHTING_DIRECTION : Both

FINISHES OPTION

 Oil Rubbed Bronze

GLASS

Amber Ice Al

MATERIAL

Iron

RATINGS

Dry Location



ADDITIONAL

INSTALL UP/DOWN: Both
 RATED LIFE 2500 Hours
 OPERATING TEMPERATURE:
 -20°C (-4°F), 40°C (104°F)

Always consult a qualified electrician before installing any lighting product.



WESTERN DISTRIBUTION CENTER (HEADQUARTER)
 253 NORTH VINELAND AVE | CITY OF INDUSTRY, CA 91746

EASTERN DISTRIBUTION CENTER
 4200 SHIRLEY DR. | ATLANTA, GA 30336

P. 626.956.4200 | F. 626.956.4225 | maximlighting.com