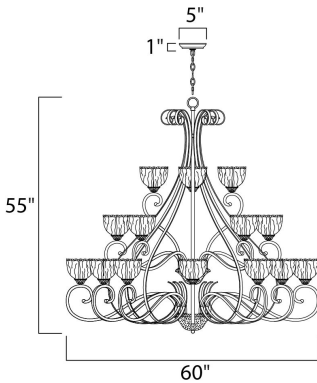




PRODUCT DESCRIPTION

Heavy hand forged frames finished in Oil Rubbed Bronze is warmed by the glow of our new Amber Ice glass.




MEASUREMENTS

DIMENSION : 60" W x 55" H
 CANOPY : 5" W x 1" H x 5" L
 HANGING WEIGHT : 134.48 lb

LAMPING

INPUT VOLTAGE : 120V
 LUMENS : 14,112 Rated
 BULB : 21 x 60W Incandescent MB , 1260W Total
 BULB INCLUDED : (Not Included)
 DIMMABLE : Standard
 COLOR_TEMP : 2700K

FINISHES OPTION

 Oil Rubbed Bronze

GLASS

Amber Ice AI

MATERIAL

Iron

RATINGS

Dry Location



ADDITIONAL

RATED LIFE 2500 Hours
 OPERATING TEMPERATURE:
 -20°C (-4°F), 40°C (104°F)

Always consult a qualified electrician before installing any lighting product.



WESTERN DISTRIBUTION CENTER (HEADQUARTER)
 253 NORTH VINELAND AVE | CITY OF INDUSTRY, CA 91746
EASTERN DISTRIBUTION CENTER
 4200 SHIRLEY DR. | ATLANTA, GA 30336
 P. 626.956.4200 | F. 626.956.4225 | maximlighting.com