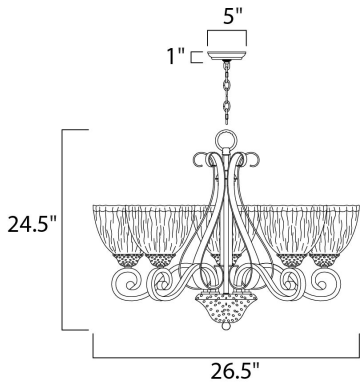




**PRODUCT DESCRIPTION**

Heavy hand forged frames finished in Oil Rubbed Bronze is warmed by the glow of our new Amber Ice glass.



**MEASUREMENTS**

DIMENSION : 26.5" W x 24.5" H  
 CANOPY : 5" W x 1" H x 5" L  
 HANGING WEIGHT : 22.05 lb

**LAMPING**

INPUT VOLTAGE : 120V  
 LUMENS : 5,750 Rated  
 BULB : 5 x 100W Incandescent MB , 500W Total  
 BULB INCLUDED : (Not Included)  
 DIMMABLE : Standard  
 COLOR\_TEMP : 2700K

**FINISHES OPTION**

 Oil Rubbed Bronze

**GLASS**

Amber Ice AI

**MATERIAL**

Iron

**RATINGS**

Dry Location



**ADDITIONAL**

RATED LIFE 2500 Hours  
 OPERATING TEMPERATURE:  
 -20°C (-4°F), 40°C (104°F)

Always consult a qualified electrician before installing any lighting product.



**WESTERN DISTRIBUTION CENTER (HEADQUARTER)**  
 253 NORTH VINELAND AVE | CITY OF INDUSTRY, CA 91746  
**EASTERN DISTRIBUTION CENTER**  
 4200 SHIRLEY DR. | ATLANTA, GA 30336  
 P. 626.956.4200 | F. 626.956.4225 | maximlighting.com