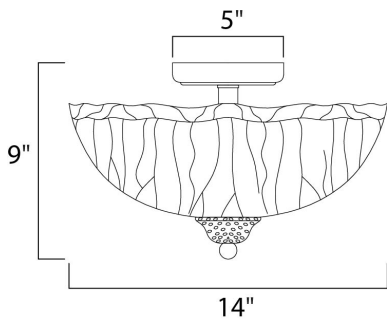




PRODUCT DESCRIPTION

Heavy hand forged frames finished in Oil Rubbed Bronze is warmed by the glow of our new Amber Ice glass.



MEASUREMENTS

DIMENSION : 14" W x 9" H
 HANGING WEIGHT : 8.82 lb

LAMPING

INPUT VOLTAGE : 120V
 LUMENS : 2,016 Rated
 BULB : 3 x 60W Incandescent MB , 180W Total
 BULB INCLUDED : (Not Included)
 DIMMABLE : Standard
 COLOR_TEMP : 2700K

FINISHES OPTION

 Oil Rubbed Bronze

GLASS

Amber Ice AI

MATERIAL

Iron

RATINGS

Dry Location



ADDITIONAL

RATED LIFE 2500 Hours
 OPERATING TEMPERATURE:
 -20°C (-4°F), 40°C (104°F)

Always consult a qualified electrician before installing any lighting product.



WESTERN DISTRIBUTION CENTER (HEADQUARTER)
 253 NORTH VINELAND AVE | CITY OF INDUSTRY, CA 91746

EASTERN DISTRIBUTION CENTER
 4200 SHIRLEY DR. | ATLANTA, GA 30336

P. 626.956.4200 | F. 626.956.4225 | maximlighting.com