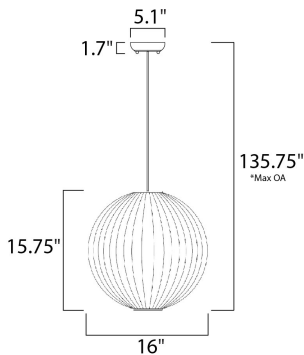




**PRODUCT DESCRIPTION**

Interlinking panels of Ash wood are bent and formed into a variety of shapes. Organically beautiful, the Norwood collection is finished in a natural Uddo oil to allow the beauty of the grain to shine through. Energy efficient GU24 fluorescent lamps are supplied with each fixture.



\*max overall height

**MEASUREMENTS**

- DIMENSION : 16" L x 16" W x 15.75" H
- MAX OAH : 135.75" OAH
- CANOPY : 5.1" W x 1.7" H x 5.1" L
- HANGING WEIGHT : 1.72 lb

**LAMPING**

- INPUT VOLTAGE : 120V
- LUMENS : 1,650 Rated (1,100 Del.)
- BULB : 1 x 26W Fluorescent GU24 , 26W Total
- BULB INCLUDED : (Included)
- DIMMABLE : No

**FINISHES OPTION**

- Black

**MATERIAL**

Wood + Steel

**RATINGS**

Dry Location  
CA Title 24



**ADDITIONAL**

OPERATING TEMPERATURE:  
-20°C (-4°F), 40°C (104°F)

Always consult a qualified electrician before installing any lighting product.



**WESTERN DISTRIBUTION CENTER (HEADQUARTER)**  
253 NORTH VINELAND AVE | CITY OF INDUSTRY, CA 91746

**EASTERN DISTRIBUTION CENTER**  
4200 SHIRLEY DR. | ATLANTA, GA 30336

P. 626.956.4200 | F. 626.956.4225 | maximlighting.com