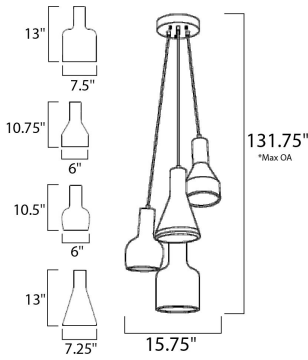




PRODUCT DESCRIPTION

Pendants molded in natural Gray finish concrete cement provide a unique urban contemporary design element Metal Polished Chrome hardware contrasts beautifully with the black fabric covered wire. Powerful and efficient illumination is provided by included GU10, 3000K LED bulbs.



MEASUREMENTS

DIMENSION : 15.75" L x 15.75" W x 12.75" H
 HANGING WEIGHT : 19.8 lb

LAMPING

INPUT VOLTAGE : 120V
 LUMENS : 1,120 Rated
 BULB : 4 x 5W LED GU10 MR16 , 20W Total
 BULB INCLUDED : (Included)
 DIMMABLE : Triac CL
 CRI : 80+ CRI
 COLOR_TEMP : 3000K

FINISHES OPTION

 Polished Chrome

MATERIAL

Concrete + Steel

RATINGS

Dry Location



ADDITIONAL

OPERATING TEMPERATURE:
 -20°C (-4°F), 40°C (104°F)

Always consult a qualified electrician before installing any lighting product.



WESTERN DISTRIBUTION CENTER (HEADQUARTER)
 253 NORTH VINELAND AVE | CITY OF INDUSTRY, CA 91746

EASTERN DISTRIBUTION CENTER
 4200 SHIRLEY DR. | ATLANTA, GA 30336

P. 626.956.4200 | F. 626.956.4225 | maximlighting.com