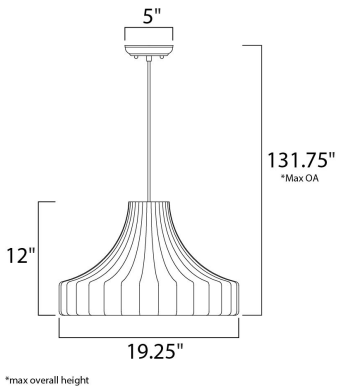




PRODUCT DESCRIPTION

A web of fiberglass is bonded together with latex and stretched over steel frames, creating a 50's contemporary design. When illuminated, the fiber shows through the soft fabric and adds texture to this unique look.



MEASUREMENTS

DIMENSION : 19.25" L x 19.25" W x 12" H
 MAX OAH : 131.75" OAH
 HANGING WEIGHT : 3.87 lb

LAMPING

INPUT VOLTAGE : 120V
 LUMENS : 0 Rated
 BULB : 1 x 60W Incandescent E26 Medium , 60W Total
 BULB INCLUDED : (Not Included)
 DIMMABLE : Yes

FINISHES OPTION

 Polished Chrome

MATERIAL

Steel + Imitation Silk

RATINGS

Dry Location



ADDITIONAL

SLOPE: 120
 OPERATING TEMPERATURE:
 -20°C (-4°F), 40°C (104°F)

Always consult a qualified electrician before installing any lighting product.



WESTERN DISTRIBUTION CENTER (HEADQUARTER)
 253 NORTH VINELAND AVE | CITY OF INDUSTRY, CA 91746

EASTERN DISTRIBUTION CENTER
 4200 SHIRLEY DR. | ATLANTA, GA 30336

P. 626.956.4200 | F. 626.956.4225 | maximlighting.com