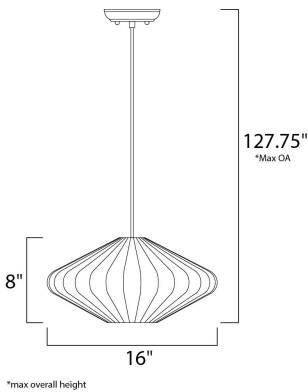




**PRODUCT DESCRIPTION**

A web of fiberglass is bonded together with latex and stretched over steel frames, creating a 50's contemporary design. When illuminated, the fiber shows through the soft fabric and adds texture to this unique look.




**MEASUREMENTS**

- DIMENSION : 16" L x 16" W x 8" H
- MAX OAH : 127.75" OAH
- HANGING WEIGHT : 2.62 lb

**LAMPING**

- INPUT VOLTAGE : 120V
- LUMENS : 0 Rated
- BULB : 1 x 60W Incandescent E26 Medium , 60W Total
- BULB INCLUDED : (Not Included)
- DIMMABLE : Yes

**FINISHES OPTION**

-  Polished Chrome

**MATERIAL**

Steel + Imitation Silk

**RATINGS**

cETLus  
Dry Location



**ADDITIONAL**

SLOPE: 120  
OPERATING TEMPERATURE:  
-20°C (-4°F), 40°C (104°F)

Always consult a qualified electrician before installing any lighting product.



**WESTERN DISTRIBUTION CENTER (HEADQUARTER)**  
253 NORTH VINELAND AVE | CITY OF INDUSTRY, CA 91746  
**EASTERN DISTRIBUTION CENTER**  
4200 SHIRLEY DR. | ATLANTA, GA 30336  
P. 626.956.4200 | F. 626.956.4225 | maximlighting.com