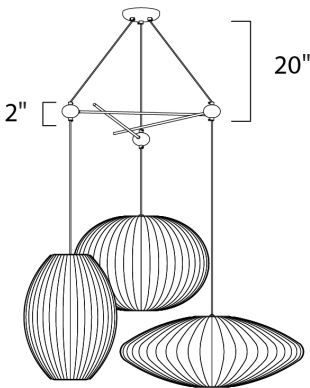


PRODUCT DESCRIPTION

Using this kit you can create your own arrangement of cord hound pendants. Purchase any three Cocoon or Vino pendants and the kit to create your cascading design. Kit includes separator and three cord canopy.



MEASUREMENTS

DIMENSION : 20" L x 17.75" W x 2" H
 HANGING WEIGHT : 2.2 lb

LAMPING

INPUT VOLTAGE : 120V
 LUMENS : 0 Rated
 BULB : W 0W Total
 DIMMABLE :

FINISHES OPTION

 Polished Chrome

MATERIAL

Steel

RATINGS

Dry Location



ADDITIONAL

OPERATING TEMPERATURE:
 -20°C (-4°F), 40°C (104°F)

Always consult a qualified electrician before installing any lighting product.



WESTERN DISTRIBUTION CENTER (HEADQUARTER)
 253 NORTH VINELAND AVE | CITY OF INDUSTRY, CA 91746

EASTERN DISTRIBUTION CENTER
 4200 SHIRLEY DR. | ATLANTA, GA 30336

P. 626.956.4200 | F. 626.956.4225 | maximlighting.com