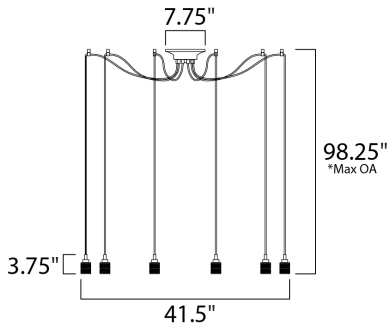




**PRODUCT DESCRIPTION**

As basic as it gets. A cast socket finished in Polished Chrome is mounted at the end of a black fabric cord. All but the single pendant is supplied with connectors to attach to the ceiling wick allows for customer configuration. Choose from our assortment of decorative bulbs or add the optional metal shade to complete the look.



\*max overall height

**MEASUREMENTS**

- DIMENSION : 41.5" L x 41.5" W x 3.75" H
- MAX OAH : 98.25" OAH
- CANOPY : 7.75" W x 2" H x 7.75" L
- HANGING WEIGHT : 9.68 lb
- WIRE LENGTH : 120"

**LAMPING**

- INPUT VOLTAGE : 120V
- BULB : 1 x 60W Incandescent E26 Medium , 600W Total
- BULB INCLUDED : (Not Included)
- DIMMABLE : Yes

**FINISHES OPTION**

- Polished Chrome

**MATERIAL**

Steel+Aluminum

**RATINGS**

cETLus  
Dry Location



**ADDITIONAL**

SLOPE: 120  
OPERATING TEMPERATURE:  
-20°C (-4°F), 40°C (104°F)

Always consult a qualified electrician before installing any lighting product.



**WESTERN DISTRIBUTION CENTER (HEADQUARTER)**  
253 NORTH VINELAND AVE | CITY OF INDUSTRY, CA 91746

**EASTERN DISTRIBUTION CENTER**  
4200 SHIRLEY DR. | ATLANTA, GA 30336

P. 626.956.4200 | F. 626.956.4225 | maximlighting.com