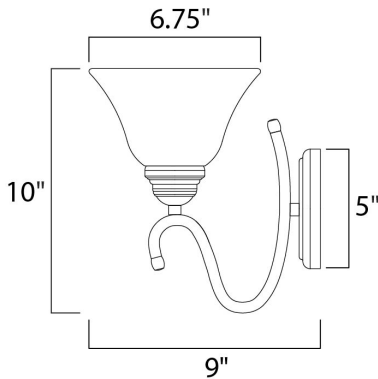




#### PRODUCT DESCRIPTION

Maxim Lighting's commitment to both the residential lighting and the home building industries will assure you a product line focused on your basic lighting needs. With the Newport collection you will find quality lighting that is well designed, well priced and readily available.



#### MEASUREMENTS

DIMENSION : 6.75" W x 10" H x 9" Ext  
 MAX OAH : 5" W x 5" H  
 HANGING WEIGHT : 2.2 lb

#### LAMPING

LUMENS : 1,150 Rated  
 BULB : 1 x 100W Incandescent MB , 100W Total  
 BULB INCLUDED : (Not Included)  
 DIMMABLE : Yes  
 COLOR\_TEMP : 2700K  
 LIGHTING\_DIRECTION : Both

#### FINISHES OPTION

 Oil Rubbed Bronze  
 Satin Nickel

#### GLASS

Wilshire WS

#### MATERIAL

Iron

#### RATINGS

Dry Location



#### ADDITIONAL

INSTALL UP/DOWN: Both  
 RATED LIFE 2500 Hours  
 OPERATING TEMPERATURE:  
 -20°C (-4°F), 40°C (104°F)

Always consult a qualified electrician before installing any lighting product.



**WESTERN DISTRIBUTION CENTER (HEADQUARTER)**  
 253 NORTH VINELAND AVE | CITY OF INDUSTRY, CA 91746

**EASTERN DISTRIBUTION CENTER**  
 4200 SHIRLEY DR. | ATLANTA, GA 30336

P. 626.956.4200 | F. 626.956.4225 | maximlighting.com