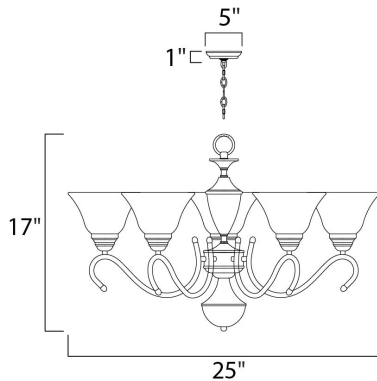


**PRODUCT DESCRIPTION**

Maxim Lighting's commitment to both the residential lighting and the home building industries will assure you a product line focused on your basic lighting needs. With the Newport collection you will find quality lighting that is well designed, well priced and readily available.

**MEASUREMENTS**

DIMENSION : 25" W x 17" H
 CANOPY : 5" W x 1" H x 5" L
 HANGING WEIGHT : 9.77 lb

LAMPING

INPUT VOLTAGE : 120V
 LUMENS : 5,750 Rated
 BULB : 5 x 100W Incandescent MB , 500W Total
 BULB INCLUDED : (Not Included)
 DIMMABLE : Yes
 COLOR_TEMP : 2700K

FINISHES OPTION

 Oil Rubbed Bronze
 Satin Nickel

GLASS

Marble MR

MATERIAL

Iron

RATINGS

cETLus
 Dry Location

**ADDITIONAL**

RATED LIFE 2500 Hours
 OPERATING TEMPERATURE:
 -20°C (-4°F), 40°C (104°F)

Always consult a qualified electrician before installing any lighting product.