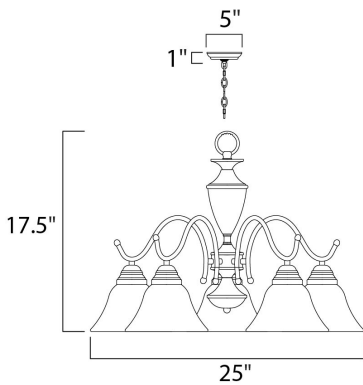




#### PRODUCT DESCRIPTION

Maxim Lighting's commitment to both the residential lighting and the home building industries will assure you a product line focused on your basic lighting needs. With the Newport collection you will find quality lighting that is well designed, well priced and readily available.




#### MEASUREMENTS

DIMENSION : 25" W x 17.5" H  
HANGING WEIGHT : 11.29 lb

#### LAMPING

LUMENS : 5,750 Rated  
BULB : 5 x 100W Incandescent MB , 500W Total  
BULB INCLUDED : (Not Included)  
DIMMABLE : Yes  
COLOR\_TEMP : 2700K

#### FINISHES OPTION

 Oil Rubbed Bronze  
 Satin Nickel

#### GLASS

Wilshire WS

#### MATERIAL

Iron

#### RATINGS

cETLus  
Dry Location



#### ADDITIONAL

RATED LIFE 2500 Hours  
OPERATING TEMPERATURE:  
-20°C (-4°F), 40°C (104°F)

Always consult a qualified electrician before installing any lighting product.

**MAXIM**<sup>®</sup>  
L I G H T I N G

**WESTERN DISTRIBUTION CENTER (HEADQUARTER)**  
253 NORTH VINELAND AVE | CITY OF INDUSTRY, CA 91746

**EASTERN DISTRIBUTION CENTER**  
4200 SHIRLEY DR. | ATLANTA, GA 30336

P. 626.956.4200 | F. 626.956.4225 | maximlighting.com