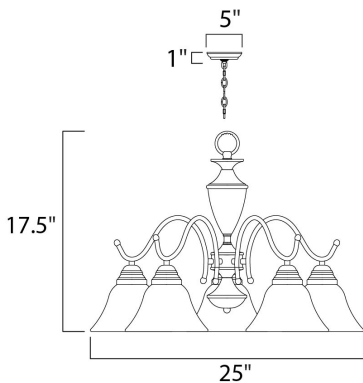


**PRODUCT DESCRIPTION**

Maxim Lighting's commitment to both the residential lighting and the home building industries will assure you a product line focused on your basic lighting needs. With the Newport collection you will find quality lighting that is well designed, well priced and readily available.

**MEASUREMENTS**

DIMENSION : 25" W x 17.5" H  
 CANOPY : 5" W x 1" H x 5" L  
 HANGING WEIGHT : 11.29 lb

**LAMPING**

INPUT VOLTAGE : 120V  
 LUMENS : 5,750 Rated  
 BULB : 5 x 100W Incandescent MB , 500W Total  
 BULB INCLUDED : (Not Included)  
 DIMMABLE : Yes  
 COLOR\_TEMP : 2700K

**FINISHES OPTION**

 Oil Rubbed Bronze  
 Satin Nickel

**GLASS**

Marble MR

**MATERIAL**

Iron

**RATINGS**

cETLus  
 Dry Location

**ADDITIONAL**

RATED LIFE 2500 Hours  
 OPERATING TEMPERATURE:  
 -20°C (-4°F), 40°C (104°F)

Always consult a qualified electrician before installing any lighting product.