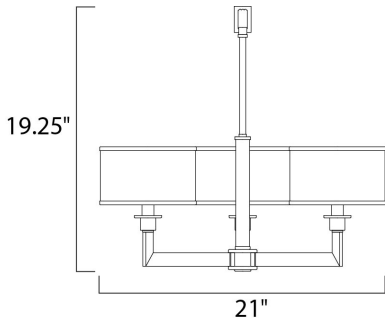




**PRODUCT DESCRIPTION**

The Nexus collection is the true standard for contemporary lighting. The flat rectangular tube arm forms to a perfect angle and comes finished in choice of Satin Nickel or Oil Rubbed Bronze. The White fabric drum shade is trimmed with metal rings in matching finish for a clean, tailored look.



**MEASUREMENTS**

DIMENSION : 21" L x 21" W x 19.25" H  
 MAX OAH : 55.25" OAH  
 HANGING WEIGHT : 5.95 lb

**LAMPING**

INPUT VOLTAGE : 120V  
 LUMENS : 2,016 Rated  
 BULB : 3 x 60W Incandescent E12 Candelabra , 180W Total  
 BULB INCLUDED : (Not Included)  
 DIMMABLE : Yes

**FINISHES OPTION**

-  Oil Rubbed Bronze
-  Satin Nickel

**GLASS**

White WT

**MATERIAL**

Steel + Fabric

**RATINGS**

cETLus  
 Dry Location



**ADDITIONAL**

RATED LIFE 1500 Hours  
 OPERATING TEMPERATURE:  
 -20°C (-4°F), 40°C (104°F)

Always consult a qualified electrician before installing any lighting product.



**WESTERN DISTRIBUTION CENTER (HEADQUARTER)**  
 253 NORTH VINELAND AVE | CITY OF INDUSTRY, CA 91746

**EASTERN DISTRIBUTION CENTER**  
 4200 SHIRLEY DR. | ATLANTA, GA 30336

P. 626.956.4200 | F. 626.956.4225 | maximlighting.com