



PRODUCT DESCRIPTION

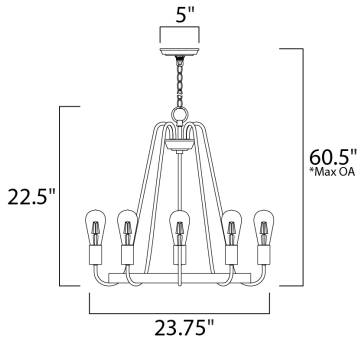
Arms that gracefully descend from a collector cradle a round metal band that can be removed for a minimalistic look. Available in two finish combinations: Black with Satin Nickel Accents and Oil Rubbed Bronze with Antique Brass accents.

MEASUREMENTS

DIMENSION : 23.75" L x 23.75" W x 22.5" H
 MAX OAH : 60.5" OAH
 CANOPY : 5" W x 0.75" H
 HANGING WEIGHT : 6.11 lb
 WIRE LENGTH : 120"

LAMPING

INPUT VOLTAGE : 120V
 LUMENS : 0 Rated
 BULB : 5 x 60W Incandescent E26 Medium , 300W Total
 BULB INCLUDED : (Not Included)
 DIMMABLE : Yes



*max overall height

FINISHES OPTION

-  Black / Satin Nickel
-  Oil Rubbed Bronze / Antique Brass

MATERIAL

Steel

RATINGS

cETLus
 Dry Location



ADDITIONAL

OPERATING TEMPERATURE:
 -20°C (-4°F), 40°C (104°F)

Always consult a qualified electrician before installing any lighting product.



WESTERN DISTRIBUTION CENTER (HEADQUARTER)
 253 NORTH VINELAND AVE | CITY OF INDUSTRY, CA 91746
EASTERN DISTRIBUTION CENTER
 4200 SHIRLEY DR. | ATLANTA, GA 30336
 P. 626.956.4200 | F. 626.956.4225 | maximlighting.com