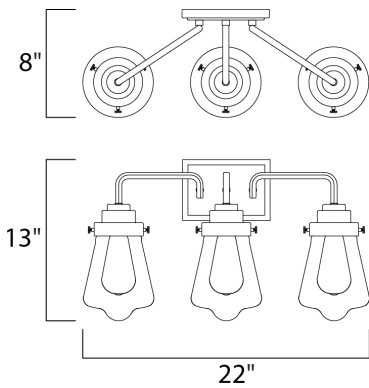




PRODUCT DESCRIPTION

A rustic styled frame of Weathered Zinc finish supports Clear lantern shaped glass. This transitional look spans several style genres from nautical to vintage.



MEASUREMENTS

DIMENSION : 22" W x 13" H x 8" Ext
 BACK PLATE : 4.5" W x 6.5" H x 3.5" HCO
 HANGING WEIGHT : 5.18081 lb

LAMPING

INPUT VOLTAGE : 120V
 LUMENS : 0 Rated
 BULB : 3 x 60W Incandescent E26 Medium , 180W Total
 BULB INCLUDED : (Not Included)
 DIMMABLE : Yes

FINISHES OPTION

 Weathered Zinc

GLASS

Clear CL

MATERIAL

Steel + Glass

RATINGS

cETLus
 Damp Location



ADDITIONAL

INSTALL UP/DOWN: Down
 OPERATING TEMPERATURE:
 -20°C (-4°F), 40°C (104°F)

Always consult a qualified electrician before installing any lighting product.



WESTERN DISTRIBUTION CENTER (HEADQUARTER)
 253 NORTH VINELAND AVE | CITY OF INDUSTRY, CA 91746
EASTERN DISTRIBUTION CENTER
 4200 SHIRLEY DR. | ATLANTA, GA 30336
 P. 626.956.4200 | F. 626.956.4225 | maximlighting.com