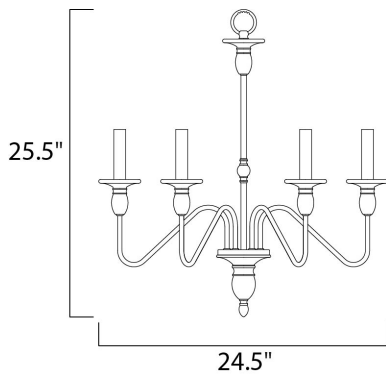


PRODUCT DESCRIPTION

This unique collection offers candelabra styling with the decorative flexibility of a chandelier. Finished Oil Rubbed Bronze or Satin Nickel.



MEASUREMENTS

DIMENSION : 24.5" W x 25.5" H
 HANGING WEIGHT : 7.23 lb

LAMPING

LUMENS : 4,032 Rated
 BULB : 6 x 60W Incandescent CA , 360W Total
 DIMMABLE : Standard Dimmer
 COLOR_TEMP : 2700K

FINISHES OPTION

-  Oil Rubbed Bronze
-  Satin Nickel

MATERIAL

Iron

RATINGS

Dry Location



ADDITIONAL

RATED LIFE 1500 Hours
 OPERATING TEMPERATURE:
 -20°C (-4°F), 40°C (104°F)

Always consult a qualified electrician before installing any lighting product.



WESTERN DISTRIBUTION CENTER (HEADQUARTER)
 253 NORTH VINELAND AVE | CITY OF INDUSTRY, CA 91746

EASTERN DISTRIBUTION CENTER
 4200 SHIRLEY DR. | ATLANTA, GA 30336

P. 626.956.4200 | F. 626.956.4225 | maximlighting.com