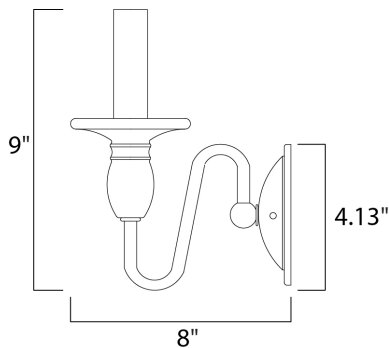


PRODUCT DESCRIPTION

This unique collection offers candelabra styling with the decorative flexibility of a chandelier. Finished Oil Rubbed Bronze or Satin Nickel.





MEASUREMENTS

DIMENSION : 4.5" W x 9" H x 8" Ext
 HANGING WEIGHT : 0.88 lb

LAMPING

LUMENS : 672 Rated
 BULB : 1 x 60W Incandescent E12 Candelabra , 60W Total
 BULB INCLUDED : (Not Included)
 DIMMABLE : Yes
 COLOR_TEMP : 2700K

FINISHES OPTION

-  Oil Rubbed Bronze
-  Satin Nickel

MATERIAL

Steel

RATINGS

cETLus
 Damp Location



ADDITIONAL

RATED LIFE 1500 Hours
 OPERATING TEMPERATURE:
 -20°C (-4°F), 40°C (104°F)

Always consult a qualified electrician before installing any lighting product.



WESTERN DISTRIBUTION CENTER (HEADQUARTER)
 253 NORTH VINELAND AVE | CITY OF INDUSTRY, CA 91746

EASTERN DISTRIBUTION CENTER
 4200 SHIRLEY DR. | ATLANTA, GA 30336

P. 626.956.4200 | F. 626.956.4225 | maximlighting.com