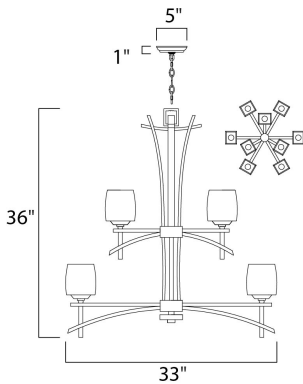




**PRODUCT DESCRIPTION**

Influenced by Far Eastern design, this series features square tube metal work finished in Roasted Chestnut. The soft square Wilshire glass blends well with the roving curves of the body design.



**MEASUREMENTS**

- DIMENSION : 33" W x 36" H
- CANOPY : 5" W x 1" H x 5" L
- HANGING WEIGHT : 23.15 lb

**LAMPING**

- INPUT VOLTAGE : 120V
- LUMENS : 6,048 Rated
- BULB : 9 x 60W Incandescent MB , 540W Total
- BULB INCLUDED : (Not Included)
- DIMMABLE : Standard
- COLOR\_TEMP : 2700K

**FINISHES OPTION**

- Roasted Chestnut

**GLASS**

Wilshire WS

**MATERIAL**

Steel

**RATINGS**

Dry Location



**ADDITIONAL**

RATED LIFE 2500 Hours  
 OPERATING TEMPERATURE:  
 -20°C (-4°F), 40°C (104°F)

Always consult a qualified electrician before installing any lighting product.



**WESTERN DISTRIBUTION CENTER (HEADQUARTER)**  
 253 NORTH VINELAND AVE | CITY OF INDUSTRY, CA 91746  
**EASTERN DISTRIBUTION CENTER**  
 4200 SHIRLEY DR. | ATLANTA, GA 30336  
 P. 626.956.4200 | F. 626.956.4225 | maximlighting.com