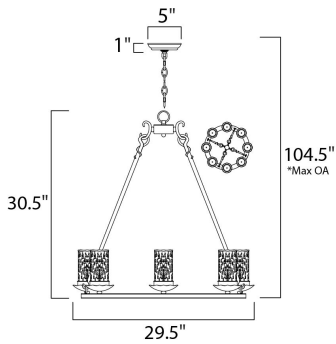




**PRODUCT DESCRIPTION**

The hand crafted nature of this series is evident in the support rods which are masterfully forged twists finished in our Oiled Bronze finish. The Wilshire candle shades add an authentic touch to this look.



\*max overall height


**MEASUREMENTS**

DIMENSION : 29.5" L x 29.5" W x 30.5" H  
 MAX OAH : 104.5" OAH  
 CANOPY : 5" W x 1" H x 5" L  
 HANGING WEIGHT : 33.73 lb

**LAMPING**

INPUT VOLTAGE : 120V  
 LUMENS : 5,376 Rated  
 BULB : 8 x 60W Incandescent E12 Candelabra , 480W Total  
 BULB INCLUDED : (Not Included)  
 DIMMABLE : Yes

**FINISHES OPTION**

 Oil Rubbed Bronze

**GLASS**

Wilshire WS

**MATERIAL**

Steel

**RATINGS**

cETLus  
 Dry Location



**ADDITIONAL**

ADJUSTABLE  
 RATED LIFE 1500 Hours  
 OPERATING TEMPERATURE:  
 -20°C (-4°F), 40°C (104°F)

Always consult a qualified electrician before installing any lighting product.



**WESTERN DISTRIBUTION CENTER (HEADQUARTER)**  
 253 NORTH VINELAND AVE | CITY OF INDUSTRY, CA 91746

**EASTERN DISTRIBUTION CENTER**  
 4200 SHIRLEY DR. | ATLANTA, GA 30336

P. 626.956.4200 | F. 626.956.4225 | maximlighting.com