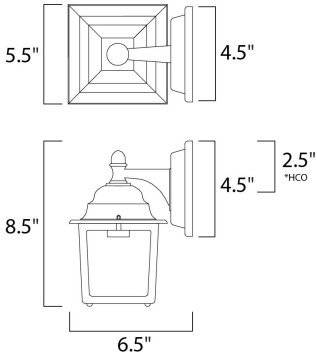




PRODUCT DESCRIPTION

Maxim Lighting's commitment to both the residential lighting and the home building industries will assure you a product line focused on your basic lighting needs. With the Builder Cast collection you will find quality lighting that is well designed, well priced and readily available.



*height from center of outlet to the top of the fixture

MEASUREMENTS

- DIMENSION : 5.5" W x 8.5" H x 6.5" Ext
- BACK PLATE : 4.5" W x 4.5" H x 2.5" HCO
- HANGING WEIGHT : 1.58 lb

LAMPING

- LUMENS : 672 Rated
- BULB : 1 x 60W Incandescent MB , 60W Total
- BULB INCLUDED : (Not Included)
- DIMMABLE : Yes
- COLOR_TEMP : 2700K

FINISHES OPTION

- Antique White
- Black
- Empire Bronze
- Pewter
- Rust Patina
- Taupe
- White

GLASS

Frosted FT

MATERIAL

Die Cast Aluminum

RATINGS

cETLus
Wet Location



ADDITIONAL

RATED LIFE 2500 Hours
OPERATING TEMPERATURE:
-20°C (-4°F), 40°C (104°F)

Always consult a qualified electrician before installing any lighting product.



WESTERN DISTRIBUTION CENTER (HEADQUARTER)
253 NORTH VINELAND AVE | CITY OF INDUSTRY, CA 91746

EASTERN DISTRIBUTION CENTER
4200 SHIRLEY DR. | ATLANTA, GA 30336

P. 626.956.4200 | F. 626.956.4225 | maximlighting.com