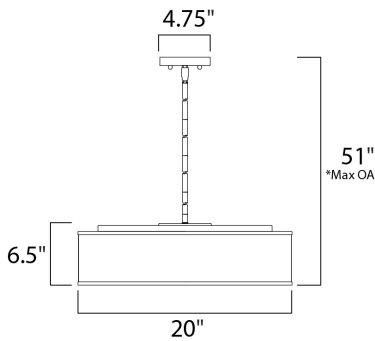




PRODUCT DESCRIPTION

This collection of LED drum fixtures feature many options of fabric shades with an internal acrylic diffuser which twist locks into place. The result is a crisp clean look without any exposed screws or knobs. Whether you are looking for residential or commercial, there is sure to be a combination for your application.



*max overall height



MEASUREMENTS

- DIMENSION : 20" W x 6.5" H
- MAX OAH : 51" OAH
- CANOPY : 4.75" W x 0.75" H x 4.75" L
- HANGING WEIGHT : 15.83 lb

LAMPING

- INPUT VOLTAGE : 120V
- LUMENS : 2,275 Rated
- BULB : 5 x 6.5W LED AC Integrated , 32W Total
- BULB INCLUDED : (Integrated)
- DIMMABLE : Triac CL
- CRI : 90+ CRI
- COLOR_TEMP : 3000K

FINISHES OPTION

-  Oil Rubbed Bronze
-  Satin Nickel

MATERIAL

Steel + Acrylic + Fabric

RATINGS

cETLus
Dry Location



ADDITIONAL

ADJUSTABLE
SLOPE: 120
RATED LIFE 35000 Hours
OPERATING TEMPERATURE:
-20°C (-4°F), 40°C (104°F)

PHOTOMETRIC: Report Found Online

Always consult a qualified electrician before installing any lighting product.



WESTERN DISTRIBUTION CENTER (HEADQUARTER)
253 NORTH VINELAND AVE | CITY OF INDUSTRY, CA 91746
EASTERN DISTRIBUTION CENTER
4200 SHIRLEY DR. | ATLANTA, GA 30336
P. 626.956.4200 | F. 626.956.4225 | maximlighting.com