

TRIO | 48" Hugger fan White, 3 Blades, AC Motor Hard Wired Wall Control

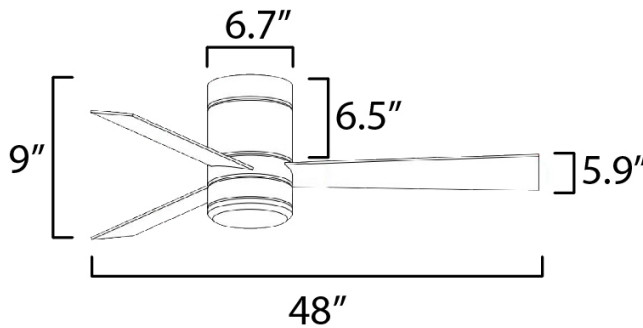
994672WT



AC Wall control
Dry Location
888807WT

PRODUCT DESCRIPTION

A contemporary, yet transitional look at economical pricing, the Trio Hugger fan is finished in White with 3 straight fan blades in White. The fan is powered by a wall control included as well.



MEASUREMENTS					
MODEL	DIMENSION	CANOPY	HANGING WEIGHT	VOLTAGE	BLADE PTICH
994672	48"W x 9"H	6.8"W x 1.5"H	6.30	120V	12

Energy Information at High Speeds		
AIRFLOW CFM	AIRFLOW EFFICIENCY	ELECTRICITY USE
4132 CFM	90 CFM / W	33W

ENERGYGUIDE

Estimated
Yearly Energy Cost

\$6

\$3 | | | | \$34

Cost Range of Similar Models (19" - 84")

• Based on 12 cents per kWh and 6.4 hours use per day
 • Your cost depends on rates and use
 • Energy Use: 33 Watts

Airflow

4132

Cubic Feet Per Minute

• The higher the airflow, the more air the fan will move
 • Airflow Efficiency: 90 Cubic Feet Per Minute Per Watt

All estimates based on typical use, excluding lights fz.goveenergy.com

FINISHES OPTION

White (WT)

MATERIAL

Steel

RATINGS

CULus
Dry Location
*Energy Star



ADDITIONAL

OPERATING TEMPERATURE:
-20°C (-4°F), 40°C (104°F)

Always consult a qualified electrician before installing any lighting product.



WESTERN DISTRIBUTION CENTER (HEADQUARTER)
253 NORTH VINELAND AVE | CITY OF INDUSTRY, CA 91746

EASTERN DISTRIBUTION CENTER
101 GARDNER PARK | PEACHTREE CITY, GA 30269

P. 626.956.4200 | F. 626.956.4225 | maximlighting.com