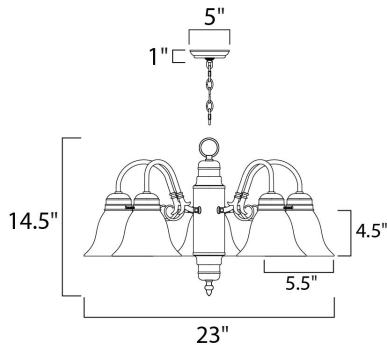




**PRODUCT DESCRIPTION**

Maxim Lighting's commitment to both the residential lighting and the home building industries will assure you a product line focused on your basic lighting needs. With the Builder Basics collection you will find quality lighting that is well designed, well priced and readily available.



**MEASUREMENTS**

DIMENSION : 23" L x 23" W x 14.5" H  
 CANOPY : 5" W x 1" H x 5" L  
 HANGING WEIGHT : 7.92 lb

**LAMPING**

INPUT VOLTAGE : 120V  
 BULB : 5 x 60W Incandescent E26 Medium , 300W Total  
 BULB INCLUDED : (Not Included)  
 DIMMABLE : Yes

**FINISHES OPTION**

-  Matte White
-  Satin Nickel

**GLASS**

Marble MR

**MATERIAL**

Steel, Glass

**RATINGS**

cETLus  
 Dry Location



**ADDITIONAL**

OPERATING TEMPERATURE:  
 -20°C (-4°F), 40°C (104°F)

Always consult a qualified electrician before installing any lighting product.



**WESTERN DISTRIBUTION CENTER (HEADQUARTER)**  
 253 NORTH VINELAND AVE | CITY OF INDUSTRY, CA 91746

**EASTERN DISTRIBUTION CENTER**  
 4200 SHIRLEY DR. | ATLANTA, GA 30336

P. 626.956.4200 | F. 626.956.4225 | maximlighting.com