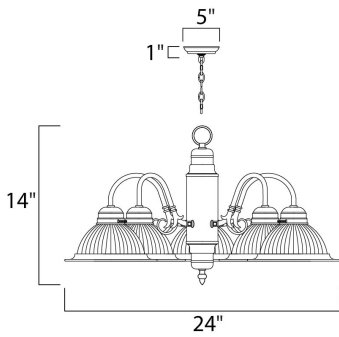




PRODUCT DESCRIPTION

Maxim Lighting's commitment to both the residential lighting and the home building industries will assure you a product line focused on your basic lighting needs. With the Builder Basics collection you will find quality lighting that is well designed, well priced and readily available.




MEASUREMENTS

- DIMENSION : 24" W x 14" H
- MAX OAH : 50" OAH
- CANOPY : 5" W x 1" H x 5" L
- HANGING WEIGHT : 9.26 lb

LAMPING

- INPUT VOLTAGE : 120V
- BULB : 5 x 60W Incandescent E26 Medium , 300W Total
- BULB INCLUDED : (Not Included)
- DIMMABLE : Yes

FINISHES OPTION

-  Satin Nickel (SN)

GLASS

- Clear CL

MATERIAL

- Iron

RATINGS

- Dry Location



ADDITIONAL

OPERATING TEMPERATURE:
-20°C (-4°F), 40°C (104°F)

Always consult a qualified electrician before installing any lighting product.



WESTERN DISTRIBUTION CENTER (HEADQUARTER)
253 NORTH VINELAND AVE | CITY OF INDUSTRY, CA 91746

EASTERN DISTRIBUTION CENTER
101 GARDNER PARK | PEACHTREE CITY, GA 30269

P. 626.956.4200 | F. 626.956.4225 | maximlighting.com