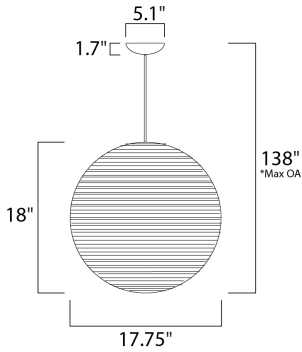




PRODUCT DESCRIPTION

The Java collection meets the demand for handmade, unique objects, fueled by "The Made Movement" in home fashion that merges artisanal techniques with the raw beauty of recycled and repurposed materials. Each shade is handcrafted of recycled corrugated paper in a Java finish, with alternating opaque and translucent layers, through which beautiful light patterns are casted.



*max overall height

MEASUREMENTS

DIMENSION : 17.75" L x 17.75" W x 18" H
 MAX OAH : 138" OAH
 CANOPY : 5.1" W x 1.7" H x 5.1" L
 HANGING WEIGHT : 2.19 lb

LAMPING

INPUT VOLTAGE : 120V
 BULB : 1 x 60W Incandescent E26 Medium , 60W Total
 BULB INCLUDED : (Not Included)
 DIMMABLE : Yes

FINISHES OPTION

 Black (BK)

MATERIAL

Recycled Cardboard

RATINGS

cETLus
 Dry Location



ADDITIONAL

SLOPE: 120
 OPERATING TEMPERATURE:
 -20°C (-4°F), 40°C (104°F)

Always consult a qualified electrician before installing any lighting product.



WESTERN DISTRIBUTION CENTER (HEADQUARTER)
 253 NORTH VINELAND AVE | CITY OF INDUSTRY, CA 91746

EASTERN DISTRIBUTION CENTER
 101 GARDNER PARK | PEACHTREE CITY, GA 30269

P. 626.956.4200 | F. 626.956.4225 | maximlighting.com