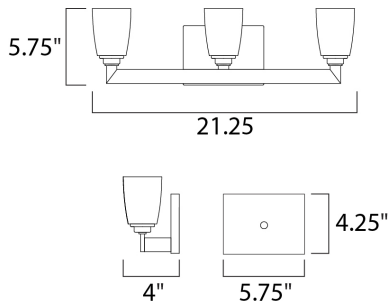




PRODUCT DESCRIPTION

Rectangular metal tubing mitered to a perfect angle lends a sharp, clean, contemporary look. Angle collection utilizes xenon lamps for ultimate light output while maintaining a petite scale and low profile. Angle is available in Satin Nickel finish with Satin White glass.



MEASUREMENTS

DIMENSION : 21.25" W x 5.75" H x 4" Ext
 BACK PLATE : 5.75" W x 4.25" H x 3.75" HCO
 HANGING WEIGHT : 4.63 lb

LAMPING

INPUT VOLTAGE : 120V
 LUMENS : 2,400 Rated
 BULB : 3 x 50W Xenon G9 Frost , 150W Total
 BULB INCLUDED : (Included)
 DIMMABLE : Standard
 COLOR_TEMP : 2900K

FINISHES OPTION



GLASS

Satin White SW

MATERIAL

Steel

RATINGS

Damp Location
 ADA



ADDITIONAL

RATED LIFE 2000 Hours
 OPERATING TEMPERATURE:
 -20°C (-4°F), 40°C (104°F)

Always consult a qualified electrician before installing any lighting product.



WESTERN DISTRIBUTION CENTER (HEADQUARTER)
 253 NORTH VINELAND AVE | CITY OF INDUSTRY, CA 91746

EASTERN DISTRIBUTION CENTER
 4200 SHIRLEY DR. | ATLANTA, GA 30336

P. 626.956.4200 | F. 626.956.4225 | maximlighting.com