



**PRODUCT DESCRIPTION**

Maxim Lighting's slim 2.5" profile Energy Star Certified Low Profile EE Collection uses energy saving T9 Circline bulbs, mountable on the ceiling or wall, with features including electronic no flicker ballasts, 3100 K color temperature, rated life of 10,000 hours, and UV rated acrylic.

**FINISHES OPTION**

 White (WT)

**GLASS**

White WT

**MATERIAL**

Acrylic, Steel

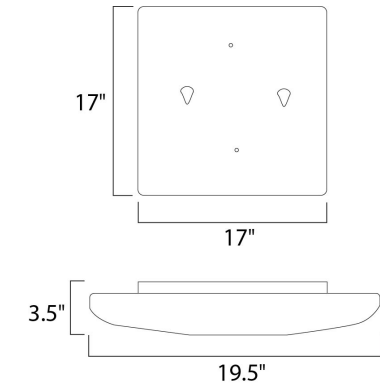
**RATINGS**

cULus  
Damp Location  
CA Title 24



**ADDITIONAL**

INCANDESCENT WATTS: 432  
RATED LIFE 15000+18000 Hours  
OPERATING TEMPERATURE:  
-20°C (-4°F), 40°C (104°F)



**MEASUREMENTS**

DIMENSION : 19.5" L x 19.5" W x 3.5" H  
MAX OAH : 17" W x 17" H  
HANGING WEIGHT : 5.8 lb

**LAMPING**

INPUT VOLTAGE : 120V  
LUMENS : 4,750 Rated  
BULB : 2 x 32+40W Fluorescent 4-Pin T9 Circline , 72W Total  
BULB INCLUDED : (Included)  
DIMMABLE : No  
COLOR\_TEMP : 3100K

Always consult a qualified electrician before installing any lighting product.



WESTERN DISTRIBUTION CENTER (HEADQUARTER)  
253 NORTH VINELAND AVE | CITY OF INDUSTRY, CA 91746

EASTERN DISTRIBUTION CENTER  
101 GARDNER PARK | PEACHTREE CITY, GA 30269

P. 626.956.4200 | F. 626.956.4225 | maximlighting.com