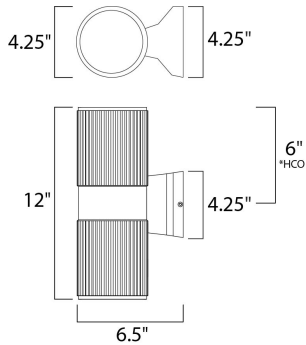




**PRODUCT DESCRIPTION**

Indirect exterior lighting not only provides illumination where you want but it also highlights the building structure for a beautiful architectural effect. Our collection of up and down lighting fixtures are available in both Architectural Bronze and Brushed Aluminum.



\*height from center of outlet to the top of the fixture

**MEASUREMENTS**

DIMENSION : 4.25" W x 12" H x 6.5" Ext  
 BACK PLATE : 4.25" W x 4.25" H x 6" HCO  
 HANGING WEIGHT : 4.19 lb

**LAMPING**

INPUT VOLTAGE : 120V  
 LUMENS : 1,400 Rated (1,030 Del.)  
 BULB : 2 x 10W LED PCB Integrated , 20W Total  
 BULB INCLUDED : (Integrated)  
 DIMMABLE : Triac CL  
 CRI : 80+ CRI  
 COLOR\_TEMP : 3000K  
 LIGHTING\_DIRECTION : Both

**FINISHES OPTION**

-  Architectural Bronze
-  Brushed Aluminum

**RATINGS**

Wet Location



**ADDITIONAL**

OPERATING TEMPERATURE:  
 -20°C (-4°F), 40°C (104°F)

PHOTOMETRIC: Report Found Online

Always consult a qualified electrician before installing any lighting product.



**WESTERN DISTRIBUTION CENTER (HEADQUARTER)**  
 253 NORTH VINELAND AVE | CITY OF INDUSTRY, CA 91746

**EASTERN DISTRIBUTION CENTER**  
 4200 SHIRLEY DR. | ATLANTA, GA 30336

P. 626.956.4200 | F. 626.956.4225 | maximlighting.com