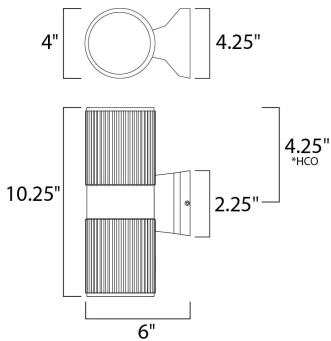




PRODUCT DESCRIPTION

Indirect exterior lighting not only provides illumination where you want but it also highlights the building structure for a beautiful architectural effect. Our collection of up and down lighting fixtures are available in both Architectural Bronze and Brushed Aluminum.



*height from center of outlet to the top of the fixture



MEASUREMENTS

DIMENSION : 4" W x 10.25" H x 6" Ext
 BACK PLATE : 4.15" HCO
 HANGING WEIGHT : 3.53 lb

LAMPING

INPUT VOLTAGE : 120V
 LUMENS : 1,400 Rated (760 Del.)
 BULB : 2 x 10W LED PCB Integrated , 20W Total
 BULB INCLUDED : (Integrated)
 DIMMABLE : Triac CL
 CRI : 80+ CRI
 COLOR_TEMP : 3000K
 LIGHTING_DIRECTION : Both

FINISHES OPTION

-  Architectural Bronze
-  Brushed Aluminum

RATINGS

Wet Location



ADDITIONAL

INSTALL UP/DOWN: Both
 OPERATING TEMPERATURE:
 -20°C (-4°F), 40°C (104°F)

PHOTOMETRIC: Report Found Online

Always consult a qualified electrician before installing any lighting product.



WESTERN DISTRIBUTION CENTER (HEADQUARTER)
 253 NORTH VINELAND AVE | CITY OF INDUSTRY, CA 91746

EASTERN DISTRIBUTION CENTER
 4200 SHIRLEY DR. | ATLANTA, GA 30336

P. 626.956.4200 | F. 626.956.4225 | maximlighting.com