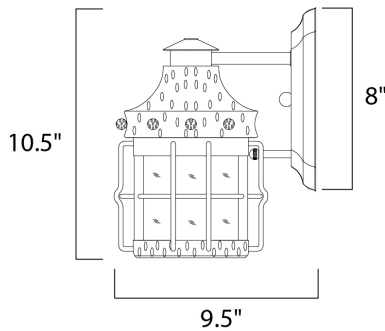




**PRODUCT DESCRIPTION**

Nantucket EE is a traditional, early American style, energy saving collection from Maxim Lighting International in Country Forge finish with Frosted Seedy glass.



**MEASUREMENTS**

DIMENSION : 6.5" W x 10.5" H x 9.5" Ext  
 BACK PLATE : 4.5" W x 8" H x 4" HCO  
 HANGING WEIGHT : 4.39 lb

**LAMPING**

INPUT VOLTAGE : 120V  
 LUMENS : 900 Rated  
 BULB : 1 x 13W Fluorescent GU24 , 13W Total  
 BULB INCLUDED : (Included)  
 DIMMABLE : No  
 CRI : 80+ CRI  
 COLOR\_TEMP : 2700K

**FINISHES OPTION**

 Country Forge

**GLASS**

Frosted Seedy FS

**MATERIAL**

Forged Iron

**RATINGS**

cETLus  
 Wet Location



**ADDITIONAL**

INCANDESCENT WATTS: 82  
 RATED LIFE 10000 Hours  
 OPERATING TEMPERATURE:  
 -20°C (-4°F), 40°C (104°F)

Always consult a qualified electrician before installing any lighting product.



**WESTERN DISTRIBUTION CENTER (HEADQUARTER)**  
 253 NORTH VINELAND AVE | CITY OF INDUSTRY, CA 91746

**EASTERN DISTRIBUTION CENTER**  
 4200 SHIRLEY DR. | ATLANTA, GA 30336

P. 626.956.4200 | F. 626.956.4225 | maximlighting.com