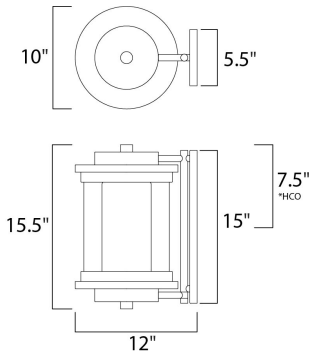




PRODUCT DESCRIPTION



*height from center of outlet to the top of the fixture

MEASUREMENTS

DIMENSION : 10" W x 15.5" H x 12" Ext
 BACK PLATE : 5.5" W x 15" H x 7.5" HCO
 HANGING WEIGHT : 11.8 lb

LAMPING

INPUT VOLTAGE : 120V
 LUMENS : 1,760 Rated
 BULB : 1 x 26W Fluorescent GU24 , 26W Total
 BULB INCLUDED : (Included)
 DIMMABLE : No
 COLOR_TEMP : 2700K

FINISHES OPTION

 Anthracite

GLASS

Clear and Frosted CLFT

MATERIAL

Die Cast Aluminum

RATINGS

cETLus
 Wet Location



ADDITIONAL

RATED LIFE 10000 Hours
 OPERATING TEMPERATURE:
 -20°C (-4°F), 40°C (104°F)

Always consult a qualified electrician before installing any lighting product.



WESTERN DISTRIBUTION CENTER (HEADQUARTER)
 253 NORTH VINELAND AVE | CITY OF INDUSTRY, CA 91746
EASTERN DISTRIBUTION CENTER
 4200 SHIRLEY DR. | ATLANTA, GA 30336
 P. 626.956.4200 | F. 626.956.4225 | maximlighting.com