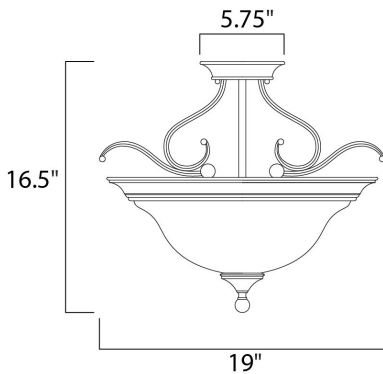




**PRODUCT DESCRIPTION**

Linda EE is a beautiful transitional energy saving collection with long flowing arms. The warm Wilshire glass perfectly complements the Oil Rubbed Bronze finish. Fixtures include energy efficient, long lasting and low maintenance compact fluorescent bulbs, with select fixtures being Energy Star certified.



**MEASUREMENTS**

DIMENSION : 19" W x 16.5" H  
 MAX OAH : 16.5" OAH  
 CANOPY : 5.75" W x 1.25" H x 5.75" L  
 HANGING WEIGHT : 10.58 lb

**LAMPING**

LUMENS : 2,700 Rated  
 BULB : 3 x 13W Fluorescent GU24 , 39W Total  
 BULB INCLUDED : (Included)  
 DIMMABLE : No  
 CRI : 81-82 CRI  
 COLOR\_TEMP : 2700K

**FINISHES OPTION**

 Oil Rubbed Bronze (OI)

**GLASS**

Wilshire WS

**MATERIAL**

Iron

**RATINGS**

Dry Location  
 CA Title 24



**ADDITIONAL**

INCANDESCENT WATTS: 245  
 RATED LIFE 10000 Hours  
 OPERATING TEMPERATURE:  
 -20°C (-4°F), 40°C (104°F)

Always consult a qualified electrician before installing any lighting product.



WESTERN DISTRIBUTION CENTER (HEADQUARTER)  
 253 NORTH VINELAND AVE | CITY OF INDUSTRY, CA 91746

EASTERN DISTRIBUTION CENTER  
 101 GARDNER PARK | PEACHTREE CITY, GA 30269

P. 626.956.4200 | F. 626.956.4225 | maxilighting.com