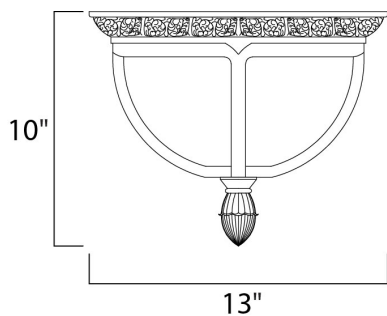




PRODUCT DESCRIPTION

Knob Hill EE is a traditional, early American style, energy saving collection from Maxim Lighting International in Sienna finish with Snow Flake glass.



MEASUREMENTS

DIMENSION : 13" W x 10" H
 HANGING WEIGHT : 7.5 lb

LAMPING

LUMENS : 1,800 Rated
 BULB : 2 x 13W Fluorescent GU24 , 26W Total
 BULB INCLUDED : (Included)
 DIMMABLE : No
 CRI : 81-82 CRI
 COLOR_TEMP : 2700K

FINISHES OPTION

 Sienna (SE)

GLASS

Snow Flake SF

MATERIAL

Die Cast Aluminum

RATINGS

Damp Location



ADDITIONAL

INCANDESCENT WATTS: 164
 RATED LIFE 10000 Hours
 OPERATING TEMPERATURE:
 -20°C (-4°F), 40°C (104°F)

Always consult a qualified electrician before installing any lighting product.



WESTERN DISTRIBUTION CENTER (HEADQUARTER)
 253 NORTH VINELAND AVE | CITY OF INDUSTRY, CA 91746

EASTERN DISTRIBUTION CENTER
 101 GARDNER PARK | PEACHTREE CITY, GA 30269

P. 626.956.4200 | F. 626.956.4225 | maximlighting.com