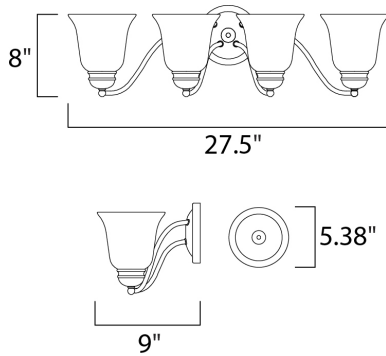




PRODUCT DESCRIPTION

The contemporary Basix EE collection features sweeping arms and clean lines. Basix EE is offered in choice of Ice glass with Satin Nickel finish or Wilshire glass with Oil Rubbed Bronze finish. Fixtures include energy efficient, long lasting and low maintenance compact fluorescent bulbs, with select fixtures being Energy Star certified.



MEASUREMENTS

DIMENSION : 27.5" W x 8" H x 9" Ext
 BACK PLATE : 5.38" W x 5.38" H x 2.62" HCO
 HANGING WEIGHT : 6.17 lb

LAMPING

INPUT VOLTAGE : 120V
 LUMENS : 3,600 Rated
 BULB : 4 x 13W Fluorescent GU24 ,
 BULB INCLUDED : (Included)
 DIMMABLE : No
 CRI : 80+ CRI
 COLOR_TEMP : 2700K

FINISHES OPTION

 Satin Nickel (SN)

GLASS

Ice IC

MATERIAL

Steel

RATINGS

Damp Location
 CA Title 24



ADDITIONAL

INSTALL UP/DOWN: Up/Down
 INCANDESCENT WATTS: 327
 RATED LIFE 10000 Hours
 OPERATING TEMPERATURE:
 -20°C (-4°F), 40°C (104°F)

Always consult a qualified electrician before installing any lighting product.



WESTERN DISTRIBUTION CENTER (HEADQUARTER)
 253 NORTH VINELAND AVE | CITY OF INDUSTRY, CA 91746

EASTERN DISTRIBUTION CENTER
 101 GARDNER PARK | PEACHTREE CITY, GA 30269

P. 626.956.4200 | F. 626.956.4225 | maximlighting.com